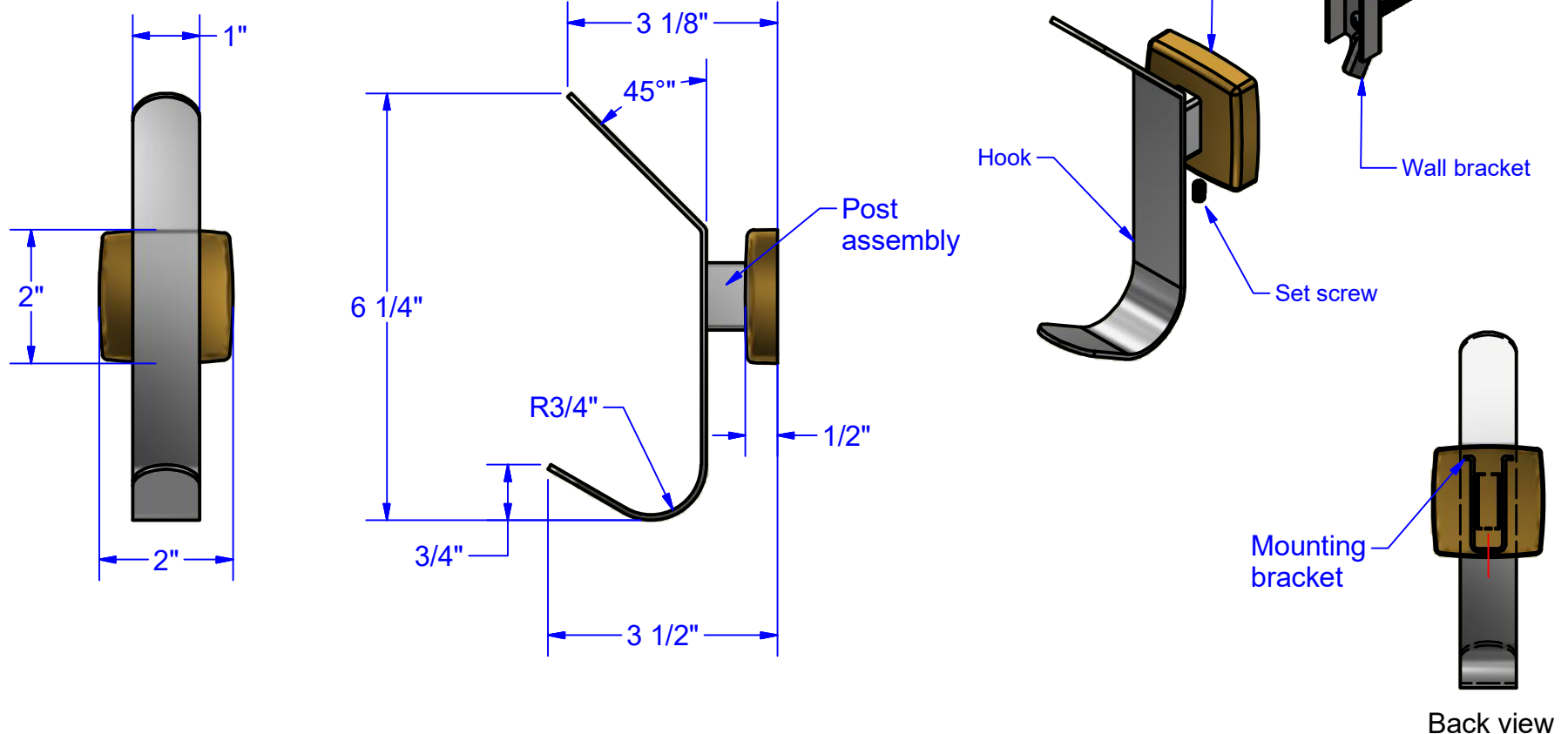




# Technical Data Sheet

S-4835-BB  
Hat and coat hook



## Construction:

Post assembly: 22 gauge type 304 bright stainless steel.  
Flange: 22 gauge Polished bright brass.  
Wall bracket: 16 gauge type 304 stainless steel.  
Mounting bracket: 16 gauge type 304 stainless steel.  
Hook: 14 gauge type 304 bright stainless steel.  
Mounting screw: #8 x 1 1/4" Phillips pan head, zinc plated.  
Set screw: 8-32 x 5/16" slotted.

## Installation:

Fasten wall bracket to wall.  
 Tilt hook up slightly to engage mounting bracket over wall bracket. Push down to fully engage the wall bracket. Set screw hole towards floor.  
 Install set screw into bottom of mounting bracket to engage wall bracket until tight.

Caution: Unit is only as strong as the anchoring devices and the wall on which it is mounted to.

## Guide specification:

Hat and coat hook.  
 Polished bright stainless and brass.  
 Concealed mounting.  
 12 lbs. max load capacity.